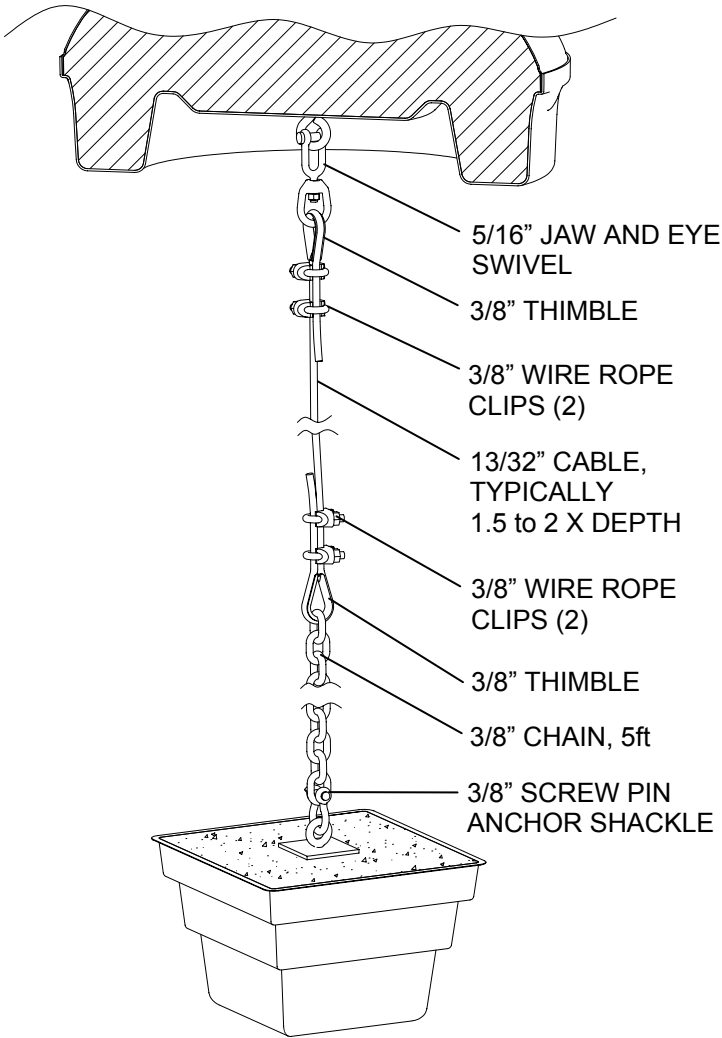




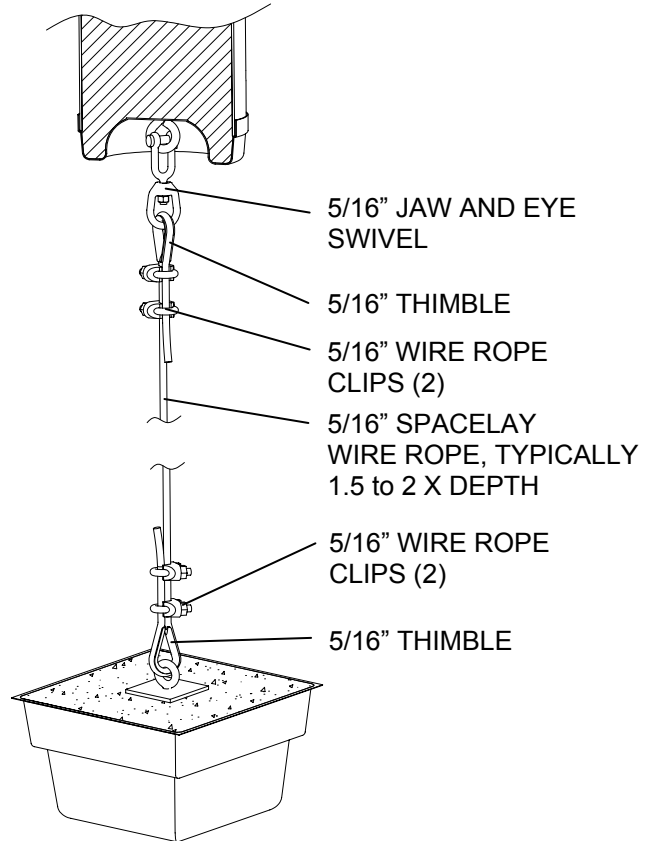
BUOY MOORING SUGGESTIONS

Figures 7 and 29

Figures 4, 14 and 18



Weight of anchor will vary; minimum 150#



Weight of anchor will vary; minimum 100#

476 LONG POINT ROAD MT. PLEASANT SOUTH CAROLINA 29464-8206

A division of Curd Enterprises, Inc

Phone: 843-881-0323 Fax: 843-881-0655

www.curdbuoy.com sales@curdbuoy.com

6/18/2003
REV 4